

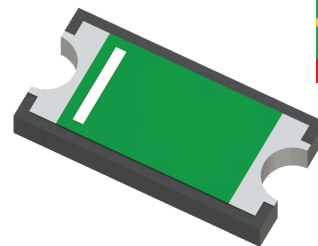


### RZC1206CT-41R2JN-2Q Features:

- Solderable Terminals
- RoHS Compliant
- Customer Defined Testing Available
- High Rated Power
- Tape & Reel and Waffle Pack Available (Standard is Bulk)

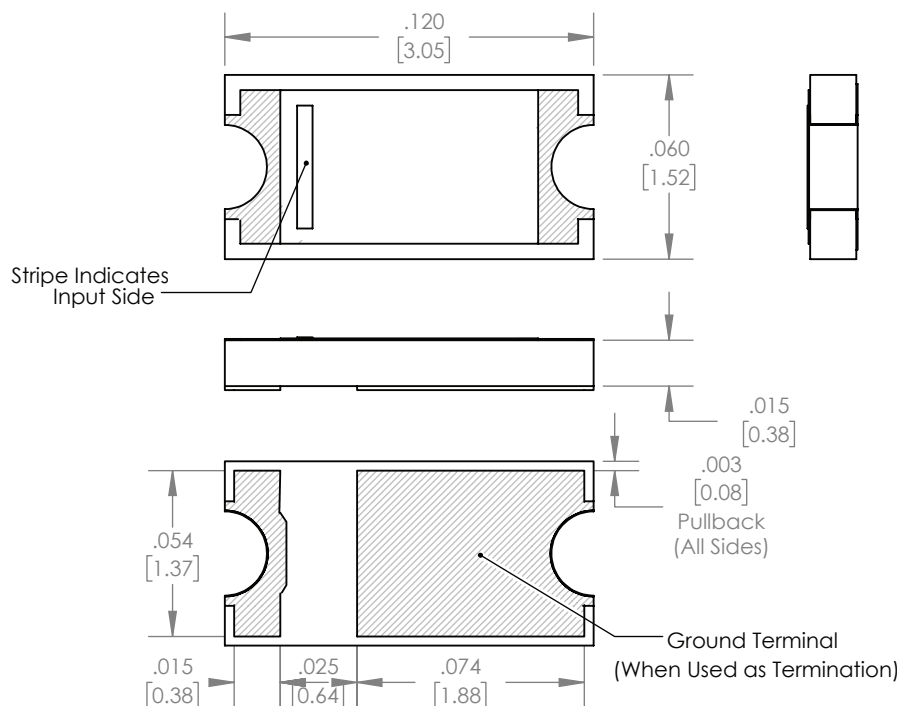
### RZC1206CT-41R2JN-2Q Parameters:

|                        |                   |
|------------------------|-------------------|
| Operating Frequency:   | 3.3 - 4.9GHz      |
| Rated Power:           | 10W*              |
| VSWR (Max.)**:         | 1.22              |
| DC Resistance:         | 41.2Ω***          |
| Resistor Construction: | Thick Film on AIN |
| Operating Temperature: | -55 to +150°C     |

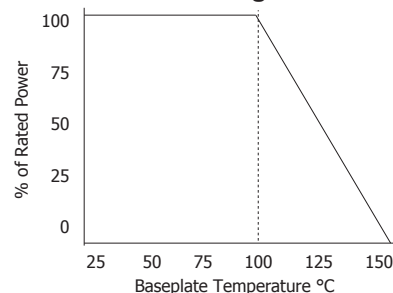


Actual Size

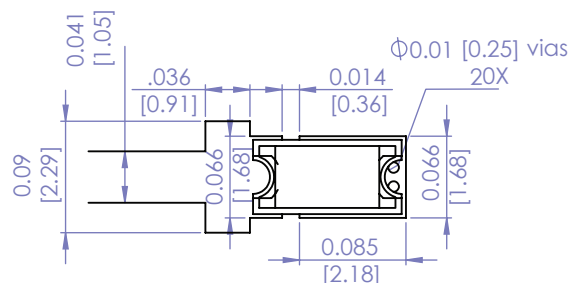
### RZC1206CT-41R2JN-2Q Dimensions:



### RZC1206CT-41R2JN-2Q Power Derating Curve



### RZC1206CT-41R2JN-2Q Recommended Footprint\*\*:



\* Rating based on  $\leq 100^\circ\text{C}$  constant baseplate temperature  
 \*\* In a matched, continuous 50Ω system with proper workmanship given mounting on optimal footprint on 0.020 [0.508] Rogers 4530.  
 \*\*\* Other values available. Contact factory.

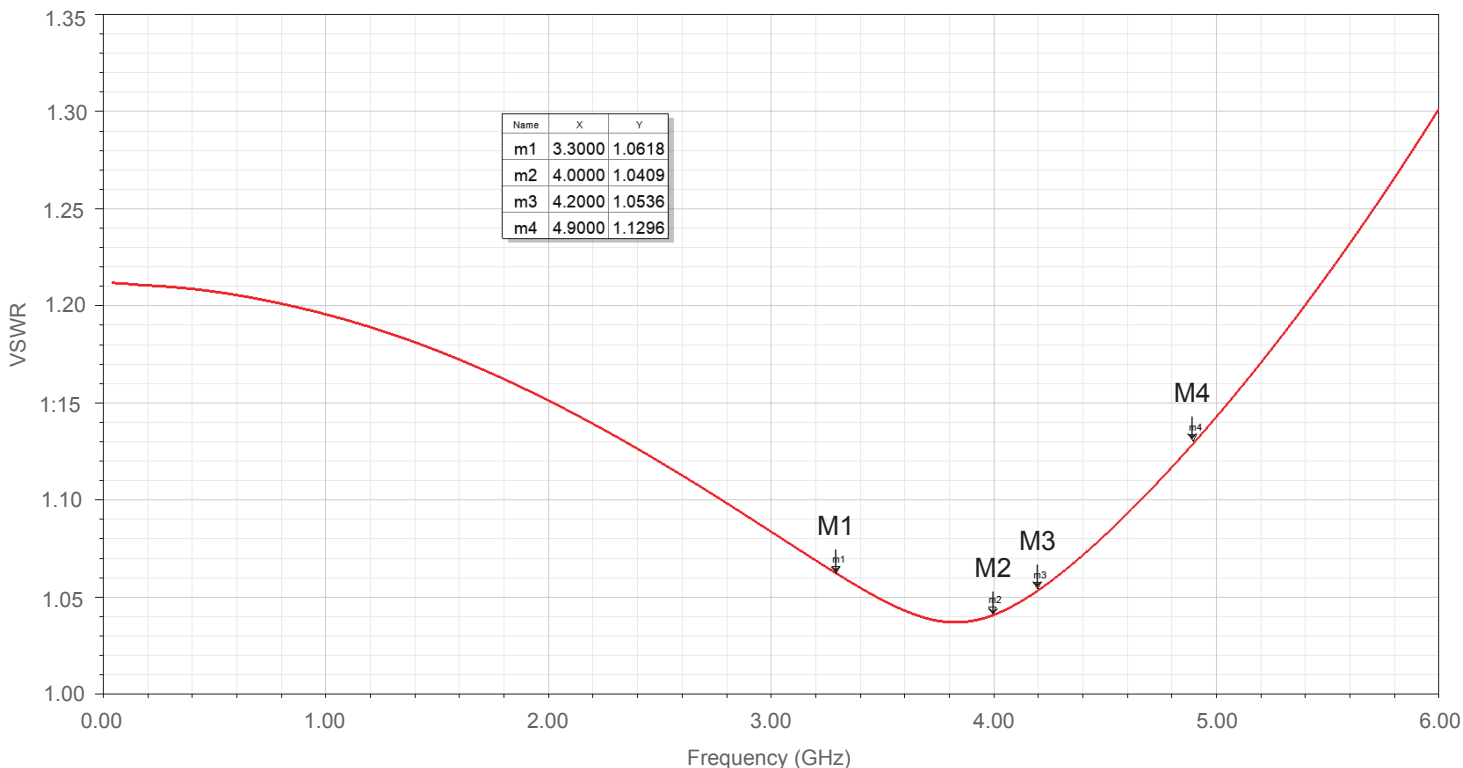
Dimensions in inches [mm]  
 Tolerance is  $\pm 0.005$  [0.13]  
 unless otherwise stated

### Ordering Information:

| RZC   | 1206      | CT  | -            | 41R2      | J                                      | N               | -2Q  | UU |
|---|-----------|---|--------------|-----------|--|-----------------|--|----|
| Prefix for Chip Resistor w/ One Extended Mounting Pad and Castellations | Size 1206 | Terminal Metallization                      | Value Code   | Tolerance | Normal Inspection                      | Substrate       | Packaging  |    |
|   |           | CT - 100% Matte Tin over Nickel over Silver | 41R2 - 41.2Ω | J - 5%    | Contact factory for additional options | 2Q - 0.015" AIN | Blank - Bulk<br>TR - Tape & Reel<br>WP - Waffle Pack |    |
|   |           |   | RoHS         | Magnetic  | Solder                                 | Epoxy           | Wirebond   |    |
|   |           |   | Yes          | Yes       | Yes                                    | No              | No   |    |

Barry Industries reserves the right to change part number and/or process without notification.

### RZC1206CT-41R2JN-2Q VSWR:



### RZC1206CT-41R2JN-2Q Reliability Specifications:

| Parameter:                   | Test Condition:   | Results:   |
|------------------------------|---|--|
| Short Time Overload          | Apply 1.1x Rated Power for 5 Seconds.   | ≤ 5.0% Resistance Shift  |
| Rated Load Life              | Apply 1/2 Power Under 40°C ±2°C<br>90 Minutes on/ 30 Minutes off.<br>Repeat for 100 hours | ≤ 5.0% Resistance Shift  |
| Moisture Resistance          | MIL-PRF-55342 para 4.8.9<br>95% RH, 25°C - 65°C   | ≤ 5.0% Resistance Shift  |
| Resistance to Soldering Heat | MIL-STD-202 Method 210<br>and MIL-PRF-55342 Para 4.8.8.1                                  | ≤ 5.0% Resistance Shift  |
| Solderability                | MIL-PRF-55342 Para 4.8.12   | >95% Covered   |
| High Temperature Storage     | 125°C ±2°C for 500 Hours  | 1.) ≤ 5.0% Resistance Shift<br>2.) No Significant Abnormality (Visual) |
| Thermal Shock                | -65°C to +150°C<br>30 Minutes Dwell, 5 Cycles   | 1.) ≤ 5.0% Resistance Shift<br>2.) No Significant Abnormality (Visual) |

Barry Industries reserves the right to change part number and/or process without notification.